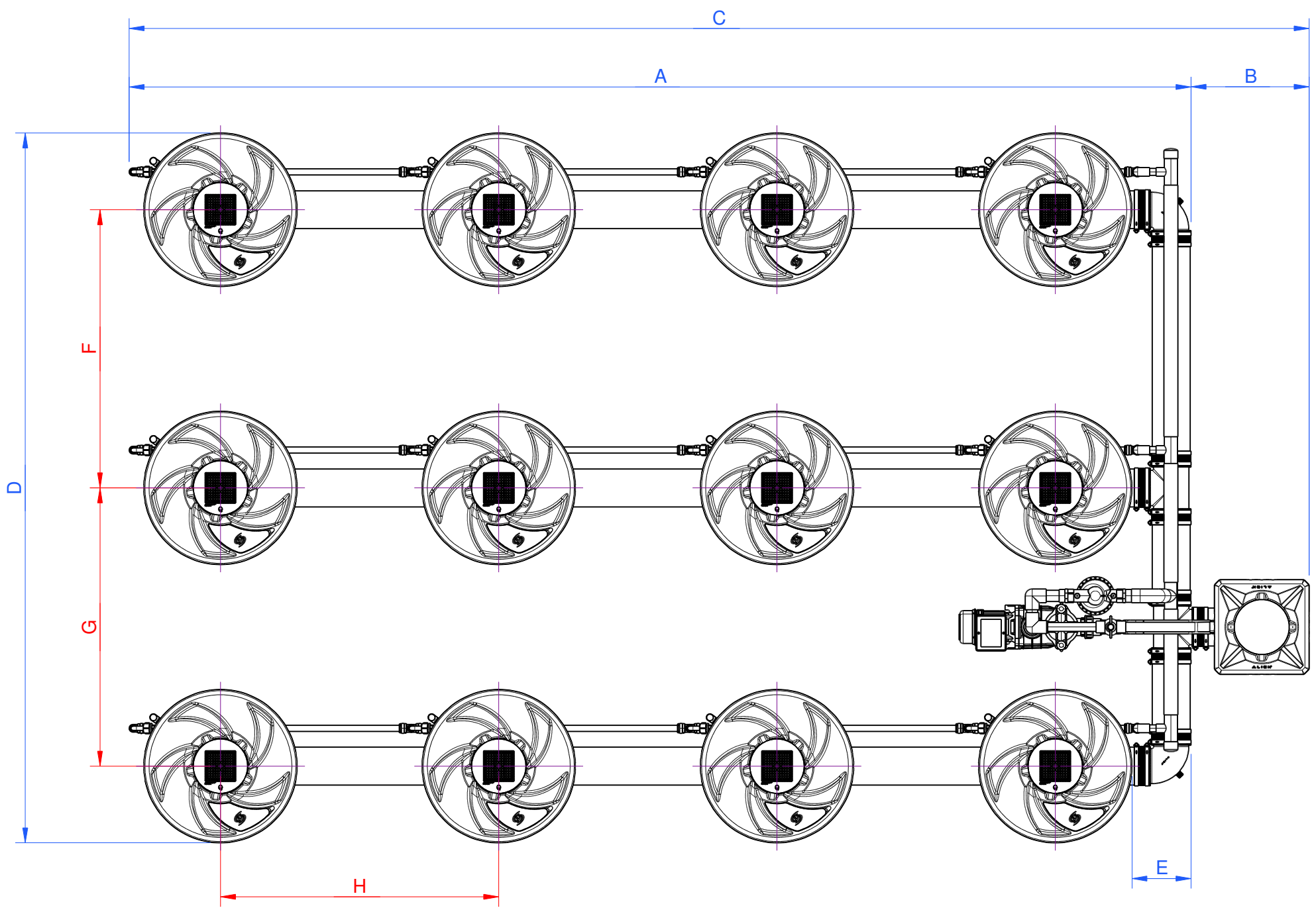


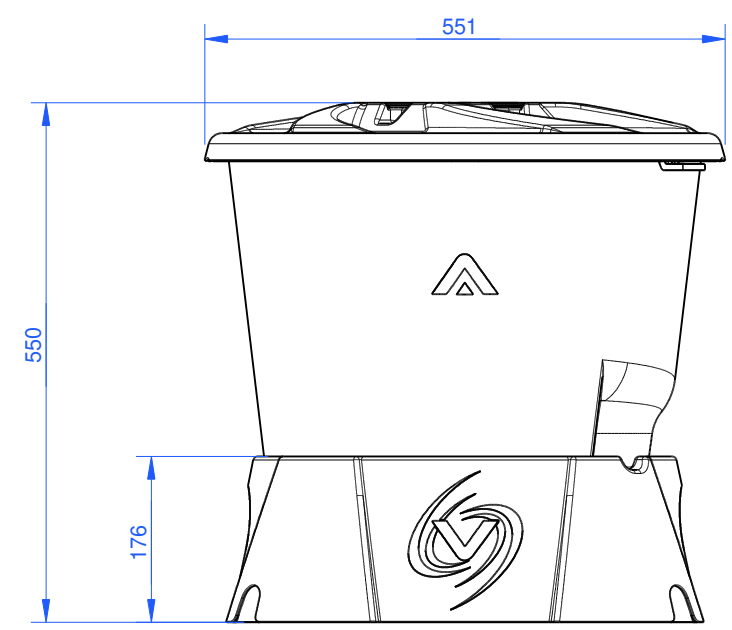
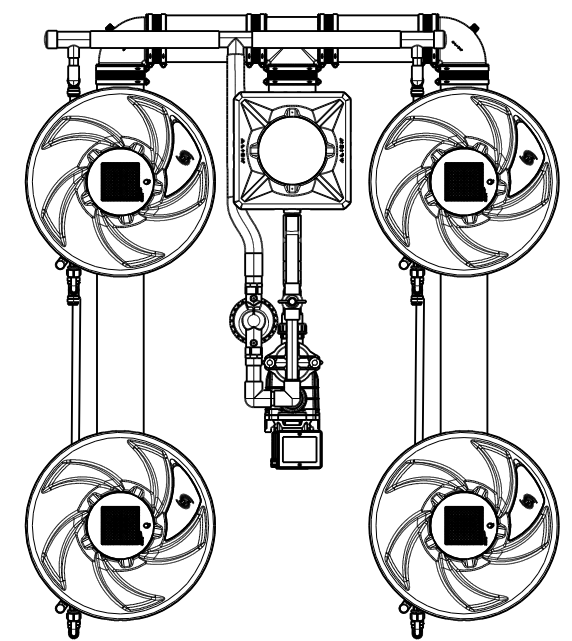
Rev	Date
A	11 / 08 / 2021



**Inverted Header:**

The header can be located inside the footprint as shown.

This option reduces overall length of system to dimension "A" (please refer to dimensions table).



Dimensions (mm)	Minimum (mm)	Maximum (mm) @ 1m Plant Centres*
A	2530	3820
B	420	1070
C	2950	4890
D	1760	2550
E	210	210
F	560	1000
G	650	1000
H	580	1000

**\* Note:**  
Plant centres greater than 1m are possible with custom order lengths of 5" tubing, please contact [tech@alienhydroponics.co.uk](mailto:tech@alienhydroponics.co.uk) for more details.



Project: V-SYSTEM	Scale 1 : 18
Title: <b>3 Row 12 Pot</b>	
Drawing Number: <b>V-3.12</b>	Sheet 1 of 1